



LT-R/P/PB

Ø84 Rotating / flashing signal light

- Rotational flickering function by the sequential flashing
- Long life expectancy due to the HID LED light source
- Select Ø84 round cap, direct mounting or supporter mounting
- Excellent visible rays transmissivity due to using an acryl cap
- Solid and smart design
- Degree of protection IP54



[Download](#) [Product Inquiry](#) [Wish List](#)

✓ Specification ✓ Suffix code ✓ Dimension

Specification

Model Appearance	LT-R□□	LT-P□□	LT-PB□□
Function	Rotating, Flashing		Rotating, Flashing, Buzzer
Cap shape	Round type cap (Ø84)		
Installation type	supporter mounting installation direct installation		
Power supply voltage	12 - 48 V d.c., 12 - 24 V a.c., 110/220 V a.c. 50 - 60 Hz		
Power consumption	Max 2.9 W (Power supply voltage : 12 - 48 V d.c) Max 5 W (Power supply voltage : 110 / 220 V a.c)		
Sequential number of rotation	Approx 90 times / Min (flashing speed approx. 50 times / min)		
Light source	LED ※ LED quantity : 24		
buzzer	-		Buzzer melody 2 kinds (single, beeping) sound pressure decibel : 80 dB (1m distance)
Material	Protective cap: acryl resin, Body: ABS resin		
Cap color	Red, Yellow, Green		
Degree of protection	IP54		

Suffix code

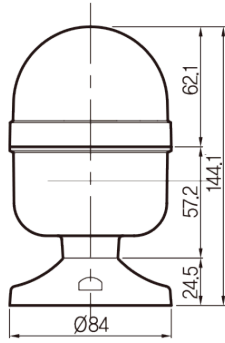
Model	Code	Description
LT-□□	□□	Signal light (Ø84 Cap)
Installation type	R □	Supporter mounting (rotating, flashing)
(Function)	P □	Direct mounting (rotating, flashing)
Power supply voltage	PB □	Direct mounting (rotating, flashing, buzzer built in)
Cap color	12 □	※ Optional supporter (STM-105)
	012 □	
	R □	12 - 48 V d.c., 12 - 24 V a.c. 50 - 60 Hz
	Y □	110/220 V a.c. 50 - 60 Hz
	G □	Red
		Yellow
		Green

Dimension & Panel cutout

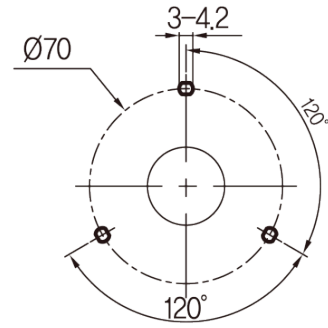
▪ LT-R□□ dimension

▪ LT-R□□ panel cutout

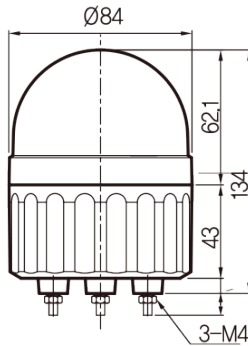
[Unit : mm]



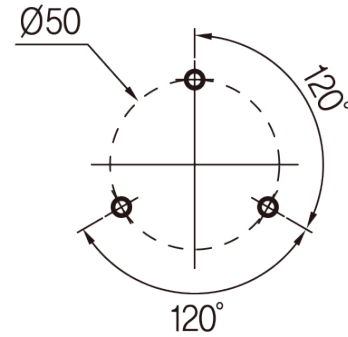
▪ LT-PB□□ dimension



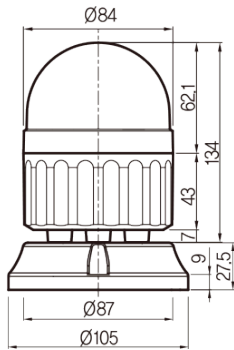
▪ LT-PB□□ panel cutout



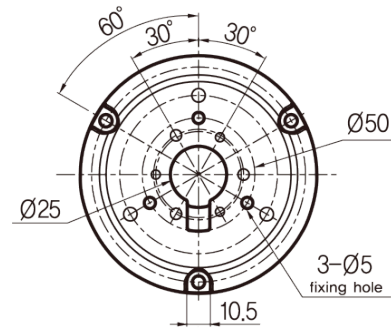
▪ STM-105 supporter dimension



▪ STM-105 supporter panel cutout

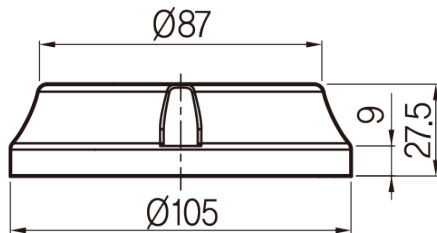


■ Supporter dimension (※Optional)



▪ STM-105 supporter dimension

▪ STM-105 supporter panel cutout



▪ ST-013 Dimension and panel cutout

